



IEC60068-2-75 Spring-operated Impact-test Apparatus Universal Type

1. Reference to IEC60068-2-75.
2. Universal (6 level): 0.14J, 0.20J, 0.35J, 0.50J, 0.70J, 1J adjustable.

Introduction:

- (1) IEC60068-2-75 Spring Impact Hammer Test Apparatus is strictly designed according to IEC60068-2-75 standard.
- (2) After applying the impact with the hammer, the products is examined with accessibility probes to determine access to chock, energy, and injury hazards. Built in exact accordance to IEC/EN/UL/CSA and other standards.

Application:

Adjust the impact severity by rotating the knurled cap until the desired energy-value is displayed. Pull the knob slowly out of the device until it locks in place. If moved too fast, the clamp may skip its arrester and will lock at its way back when the pulling-force declines. Hold the device horizontally at it's housing tube and press the (black) release cone to the specimens plane of impact. The strike is automatically released when the release force threshold is reached

IK code	Energy value	Error
IK 01	0.14 J	±0.014J
IK 02	0.2 J	±0.020J
IK 03	0.35 J	±0.03J
IK 04	0.5 J	±0.04J
IK 05	0.7 J	±0.05J
IK 06	1 J	±0.05J

Technical parameters:

Length: 211 mm

Weight: 1250 g

Diameter: 50 mm

Hammer Weight: 60 g

Hammer radius: 10 mm

Shock components: including hit ball and hammer handles, weighs 250g, the hammer is made from white polyethylene imine first

The impact of the release of force: less than 10N

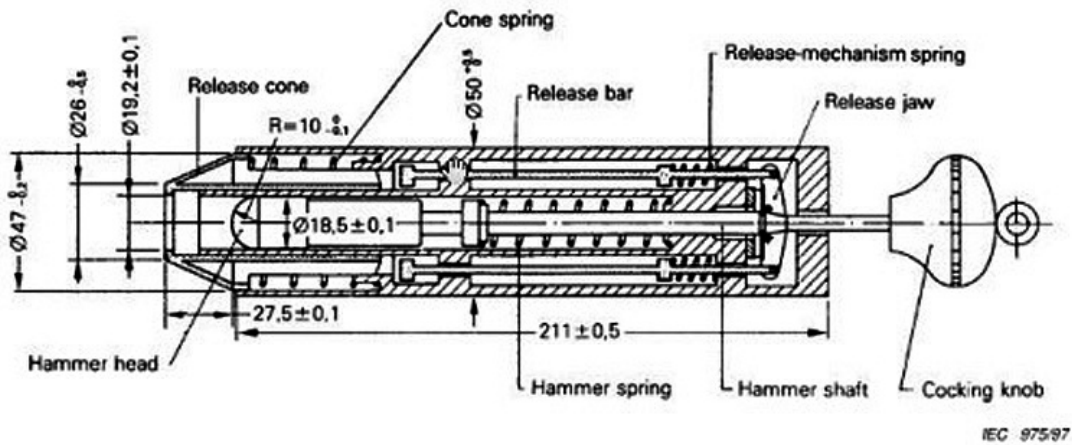


Figure E.1 – Spring hammer test apparatus

