

1) Sphere 50 mm Diameter with 50N Force



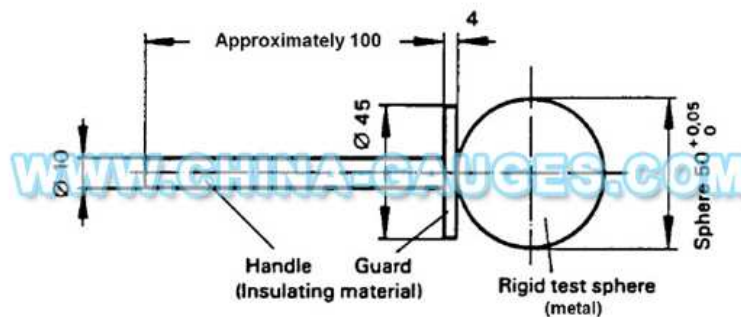
Specification:

IP1X Test Probe is necessary appliance for household and similar electrical appliance of against electric shock protection test.

Technical Parameters:

1. Ball Diameter: 50mm
2. Baffle Plate Diameter: 45mm
3. Baffle Plate Thickness: 4mm
4. Handle Diameter: 10mm
5. Handle Length: 100mm
6. According to IEC 61032 figure 1 (the Test probe A), table 6 the first characteristics (1)
7. Thrust: 10N/20N/30N/40N/50N

a)



Dimensions in millimetres

This probe is intended to verify the protection of persons against access to hazardous parts. It is also used to verify the protection against access with the back of the hand.

Figure 1 – Test probe A

2) Jointed Test Finger with 10N Force



IP2X Test Probe is a precision test probe made according to Figure 2 (Fig. 2) of the IEC 61032 (Test probe B) and is used to simulate a human finger. It is also used by the standards of CSA, IRAM, UL, IEC 60335, IRAM 4220-1 and in most of the rules involved in the verification of accessibility to live parts.

The Jointed Test Finger was made on stainless steel and Polyamide handle.

Material: Stainless Steel.

Handle: Polyamide.

Finish: Chrome plating.

According to: IEC 61032, IEC 60335-1, IEC 60529-2001, IRAM 4220-1, SASO/IEC 60335-1, SASO IEC 60950, IEC 60950/EN60950.

Thrust: 10N

3) Test Rod 2,5 mm Diameter, 100 mm Long with 3N Force

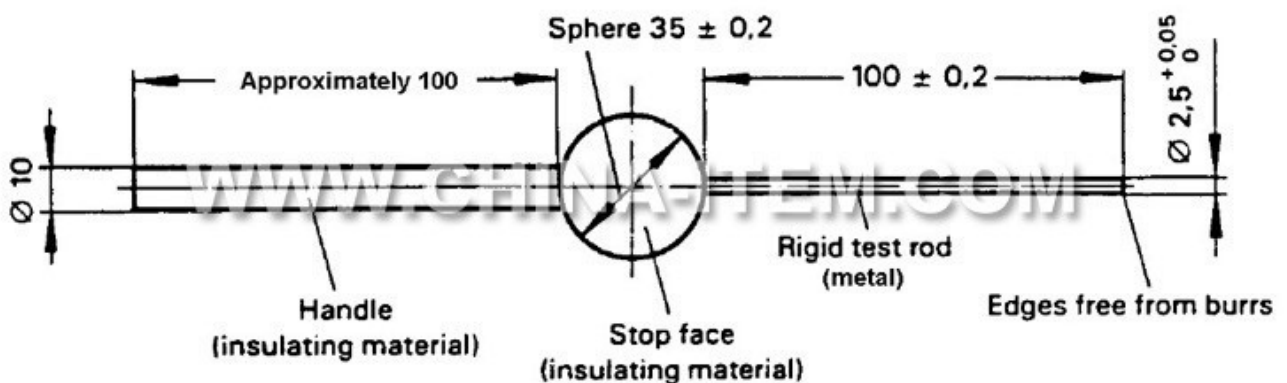


Basic Introduction:

IP3X Test Probe (Test Probe C) is the necessary tool to proceed protecting electric shock test of household and similar electrical appliances.

Technical parameters:

1. Rod length: 100 mm
2. Rod diameter: 2.5 mm
3. Circular-baffle diameter: 35 mm
4. Handle diameter: 10 mm
5. Handle length: 100 mm
6. According to IEC 61032 figure 3 (the Test probe C) Table 6 (the first characteristic digital 3).
7. Thrust: 3N



4) Test Wire 1,0 mm Diameter, 100 mm Long with 1N Force

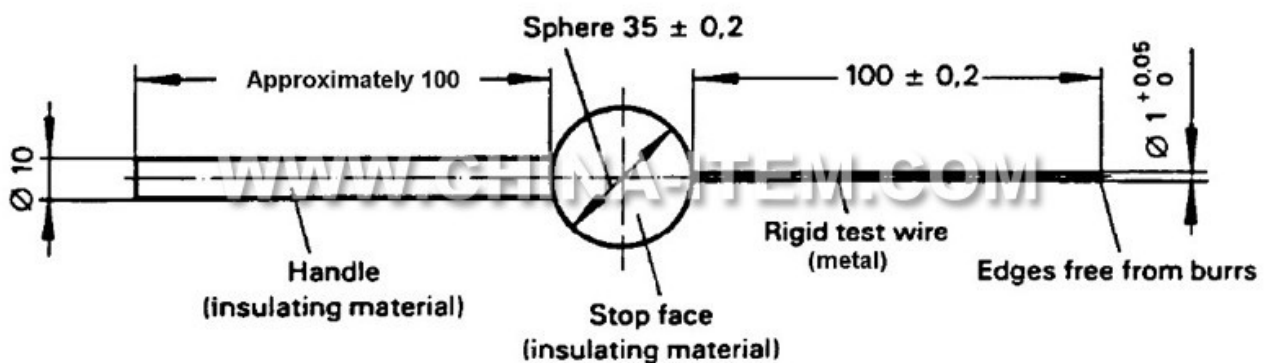


Basic Introduction:

IP4X Test Probe (Test Probe D) is the necessary tool to proceed protecting electric shock test of household and similar electrical appliances.

Technical parameters:

1. Wire length: 100 mm
2. Wire diameter: 1.0 mm
3. Circular-baffle diameter: 35 mm
4. Handle diameter: 10 mm
5. Handle length: 100 mm
6. According to IEC 61032 figure 4 (the Test probe D) Table 6 (the first characteristic digital 4).
7. Thrust: 1N



5) Low-voltage Test Supply



1.Introduction:

The electric contact power indicator is made according to IEC60335 for standard electric shock prevention test. It provides a 40-45V power supply in the IP test for metal wire.

1. The electric contact power indicator use digital chips, it has over-current and short circuit protect function.
2. Digital display, can see the voltage clearly.
3. Sound indicator, can make you focus on the test and don't need to find an indicating light.
4. Thickening aluminum box, better for heat exchange.
5. Small size, easy to carry.

Input :AC 180-250V

Output:41-43V

Fuse:220V 2A

2. Application:

1. Turn on the tested sample, one head of the device connect to the plug. According to different standard, the connection to the ground wire need to follow to the standard.
2. Connect the other head of the device to the testing tool. According to different standard, it will need to exert certain thrust. Please try to use with the tools with thrust.
3. During the test, if there's any sound indicating, which means the sample is not pass the test.

3.Note:

Please do the conduction test before the test, in case the test wire damage to affect the result.
Please take care of it and put it up and down slightly.